



MAVERICK®

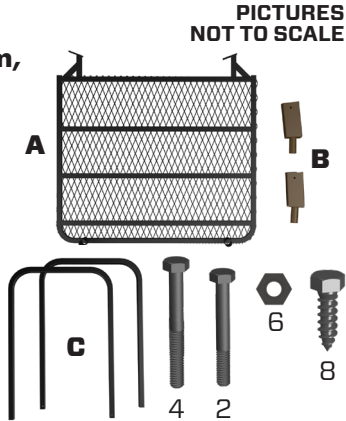
NEX-LEVEL® LADDER Assembly & Installation

WHAT YOU NEED

Before installing the Nex-Level® Ladder System, determine the location of your blind's door.

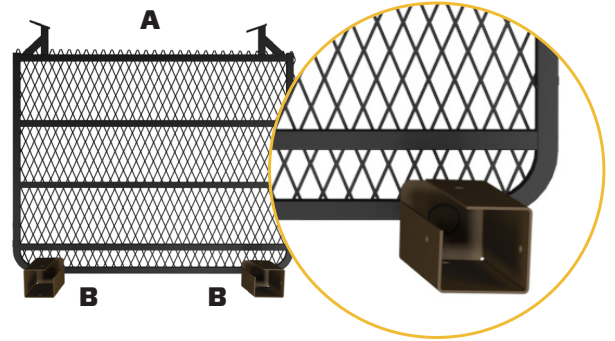
- + Tools/supplies you'll need: 9/16" socket, 8 lag bolts, 4x4 lumber cut to desired height (legs), drill, and 2x4s with screws (ladder rungs)

Not Supplied
Lumber, Screws



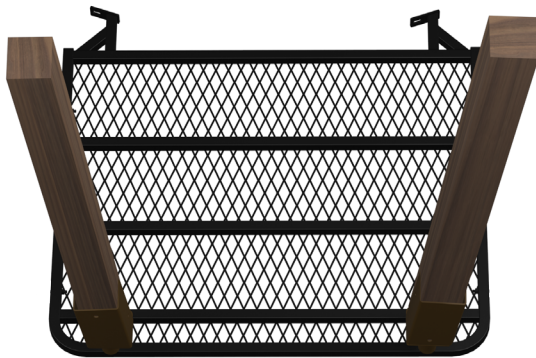
1

- + Bolt Nex-Level Mounts onto platform with open sides of the mounts facing inward toward blind



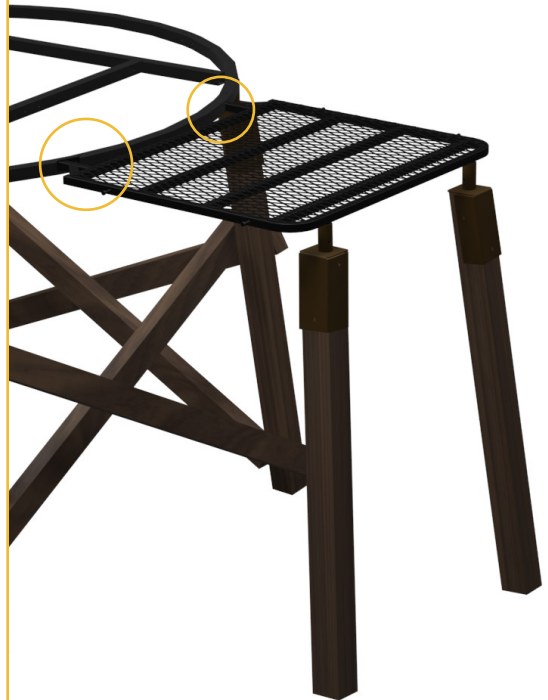
2

- + Make sure ground is level
- + Use 9/16" socket driver to lag screw 4" x 4" wood posts into open end of Nex-Level mounts
- + **NOTE:** It may be helpful to install a temporary ladder rung to hold leg spacing in the next step



3

- + On your Nex-Level Floor Base outer frame, remove the two existing framing bolts and nuts closest to where your blind door will sit
- + Position ladder system on frame and re-install and tighten bolts and nuts



4

- + Make sure platform frame and ladder legs are level and secure
- + If they aren't, level and secure them before moving on to the next step

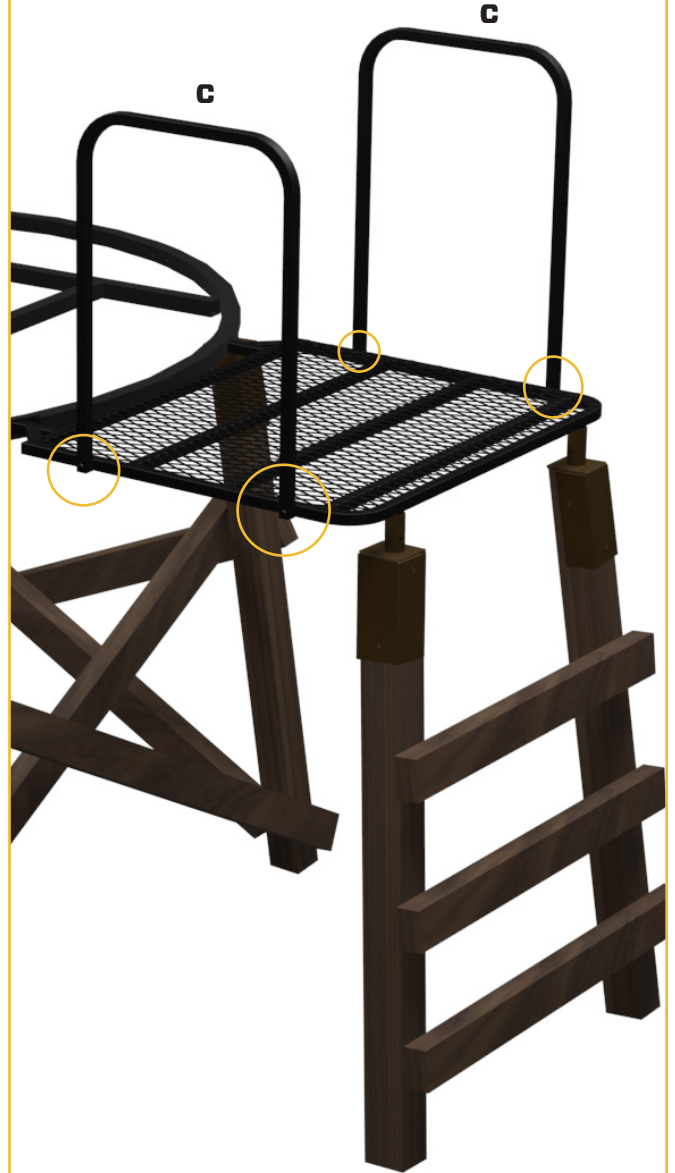
5

- + Install your ladder rungs at the desired spacing on legs
- + **Make sure everything is secured and safe**



6

- + Bolt handles onto metal ladder platform, inserting bolts through platform and handle; tighten securely



7

- + Position your blind so the **door fits squarely between the handrails**
- + Check for proper door function before attaching blind to wood platform



WATCH ASSEMBLY VIDEO

Scan the QR code to watch the assembly and installation of the Nex-Level® Floor Base, Platform and Ladder.